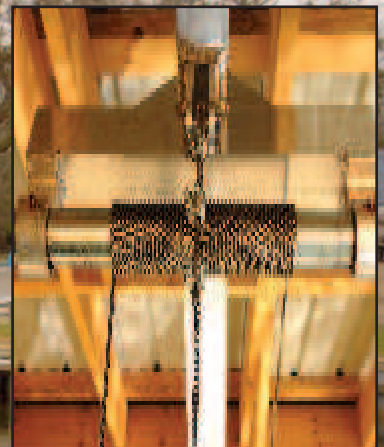


# **tide** **TAMER** **INDUSTRIES, INC.**



**Motors / Drives**



**Cable Rollers**



**Grease Fittings**



**Attention:**

Tide Tamer recommends that prior to the annual lift service that the owner or the service technician inquire with Tide Tamer to ensure that the most up to date maintenance and inspection processes are adhered to. Failure to do so could leave your lift with inadequate maintenance and service parameters. This could result in equipment failure or damage leading to vessel damage, personal injury or death. Contact us today [sales@tidetamer.com](mailto:sales@tidetamer.com)

**OPERATIONS MANUAL**

**[www.tidetamer.com](http://www.tidetamer.com)**  
**CALL TODAY 800.325.1116**

## Table of Contents

General Safety .....	Page 2
Boat lift Maintenance .....	Page 3
Loading & Weight Distribution .....	Page 4
Limited Warranty .....	Page 6
Registration Information .....	Page 7

## General Safety

- Before operating **ANY LIFT** you should read and understand your Owner's Manual. If at any point you have questions or do not understand, call our customer service toll free at **800-325-1116** (Monday-Friday). You can also contact us by e-mail at ***sales@tidetamer.com***.
- Do not operate lift while your boat is occupied. All lifts should be used for lifting watercraft or non-living cargo only.
- You should never be directly under or near lift at any time.
- Do not operate lift without your lift being properly grounded.
- Do not operate lift without a ground fault interrupter.
- Do not operate your lift without inspecting your lifting cables for damage or improper spooling. (*Most important part of you lift!*)
- Do not lift any boat that exceeds the specifications and capacity of the lift.
- When loading your boat be sure that the weight is distributed equally to drives, bottom beams and top beams. Your watercraft's center of gravity should be positioned directly between your cradle beams. Consult with your boat manufacturer to locate the center of gravity on your watercraft. (*See weight Distribution page #4*)
- Do not leave lift unattended while lift is in operation.
- Lift should not be operated by anyone under 18 years of age. Lift should only be operated by a competent person, who has fully read and understands the operating instructions.
- Always turn power off to lift when not in use.

**WARNING!**  
**FAILURE TO ADHERE TO THESE SAFETY GUIDELINES**  
**MAY RESULT IN SERIOUS INJURY OR DEATH!**  
Failure to adhere to these safety guidelines will void warranty!

# BOAT LIFT MAINTENANCE

## GREASE POINTS

### ***Four/Eight Piling Boat Lifts***

- Hatteras drive unit should be visually inspected annually. Chain and sprocket need inspected for wear and damage (should have no metal shavings visible) and replace as needed.
- Gear reducer should be inspected annually for oil level and any darkening or discoloration.
- Nylon rollers and/or sheaves should be inspected annually and lubricated as needed.
- Aluminum/Stainless steel sheaves require monthly greasing as needed
- There are 4 grease fitting per top beam assembly and they should be greased annually.

### ***Boat House Lifts***

- There are 2 grease fittings on each pipe hanger bracket that should be greased annually
- Nylon rollers and/or sheaves should be inspected annually and lubricated as needed.
- There are 4 grease fitting per top beam assembly that should be greased annually.

### ***Single / Dual Piling Boat Lifts***

- There are no grease fittings or maintenance on any of the NC 1000 drive units.
- Nylon rollers and/or sheaves should be inspected annually and lubricated as needed.
- There are no grease points on the swinger style lifts.

## LIFTING CABLES

You should inspect cable before and after every use for damage or improper wrapping on the cable spool. Improper wrapping can cause cable damage resulting in lift failure, serious personal injury, or death. ***(If cable is damaged or worn for any reason replace cable/cables immediately.) Applies to ALL Lifts.***

## FASTENERS AND HARDWARE

Inspect all fasteners including cotter pins to insure that they are secure.

## BUNK BOARDS

Inspect wood bunk boards periodically for unusual bowing or cracks.

## WIRING

Inspect wiring for damage periodically. If the lift's electrical system is not working properly, it should be inspected or repaired by a licensed electrician. All wiring should be equal to or above the specification provided by Tide Tamer® Industries, Inc.

## Drives

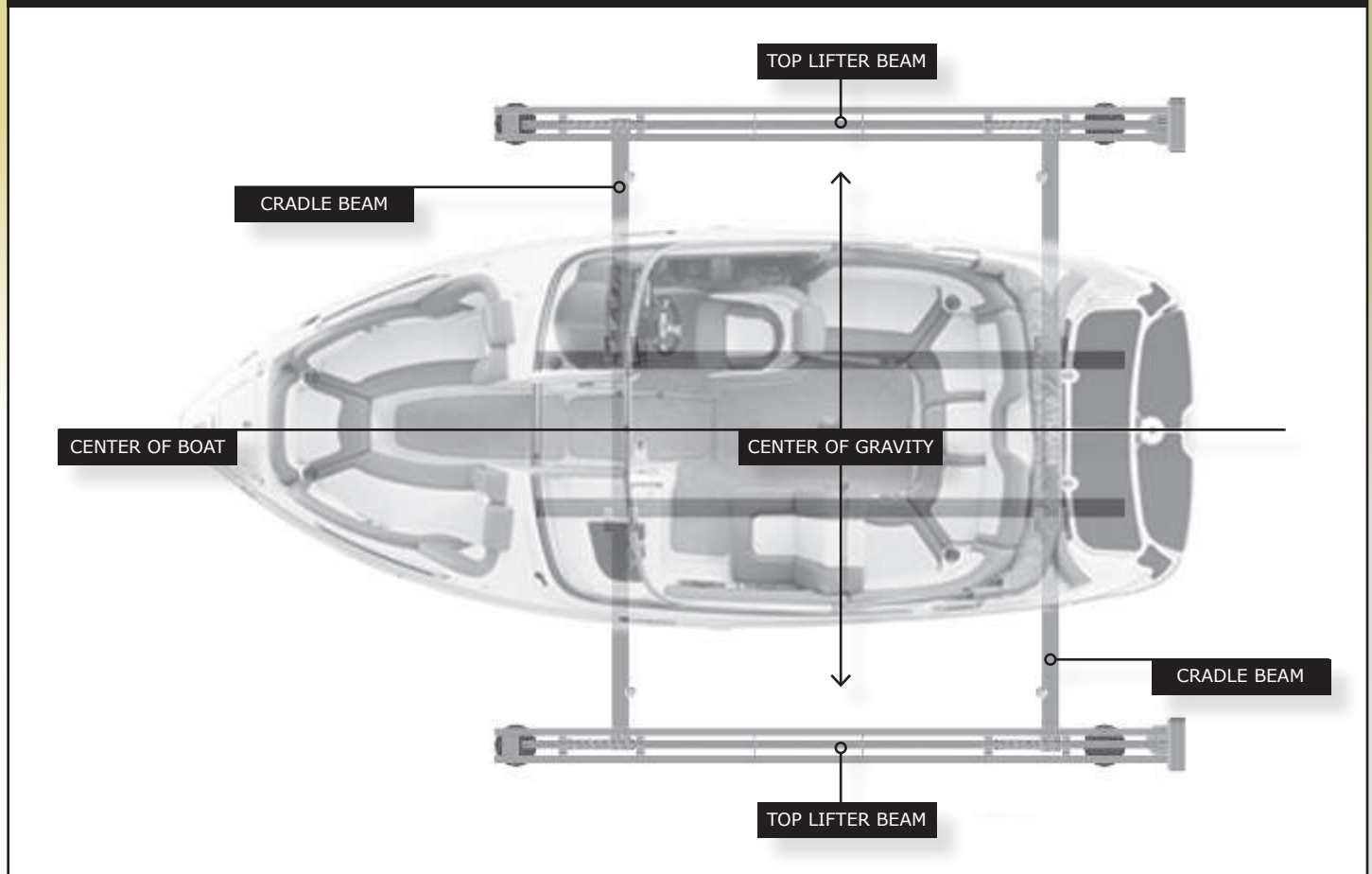
The gear reducer on the Hatteras Drives and NC 1000 Drives should be inspected annually. If you detect an oil leakage or unusual noise contact your Tide Tamer® Dealer or contact us at ***sales@tidetamer.com*** or call: ***1.800.325.1116***

# BOAT LIFT LOADING/WEIGHT DISTRIBUTION

## VERTICAL CRADLE LIFTS

- The weight of your boat **MUST BE EVENLY DISTRIBUTED ON THE BEAMS** to ensure your safety and longevity of your lift. Consult the boat manufacturer for lifting points and center of gravity on your boat.
- Inspect lifting cables for damage and make sure that they are spooled properly to prevent shock or impact loads from damaging your boat or lift. This could result in structural or mechanical damage to your lift or boat as well as cause personal injury or death.

SEE ILLUSTRATION BELOW FOR LOADING INSTRUCTIONS



*"Outlasting the Elements!"*

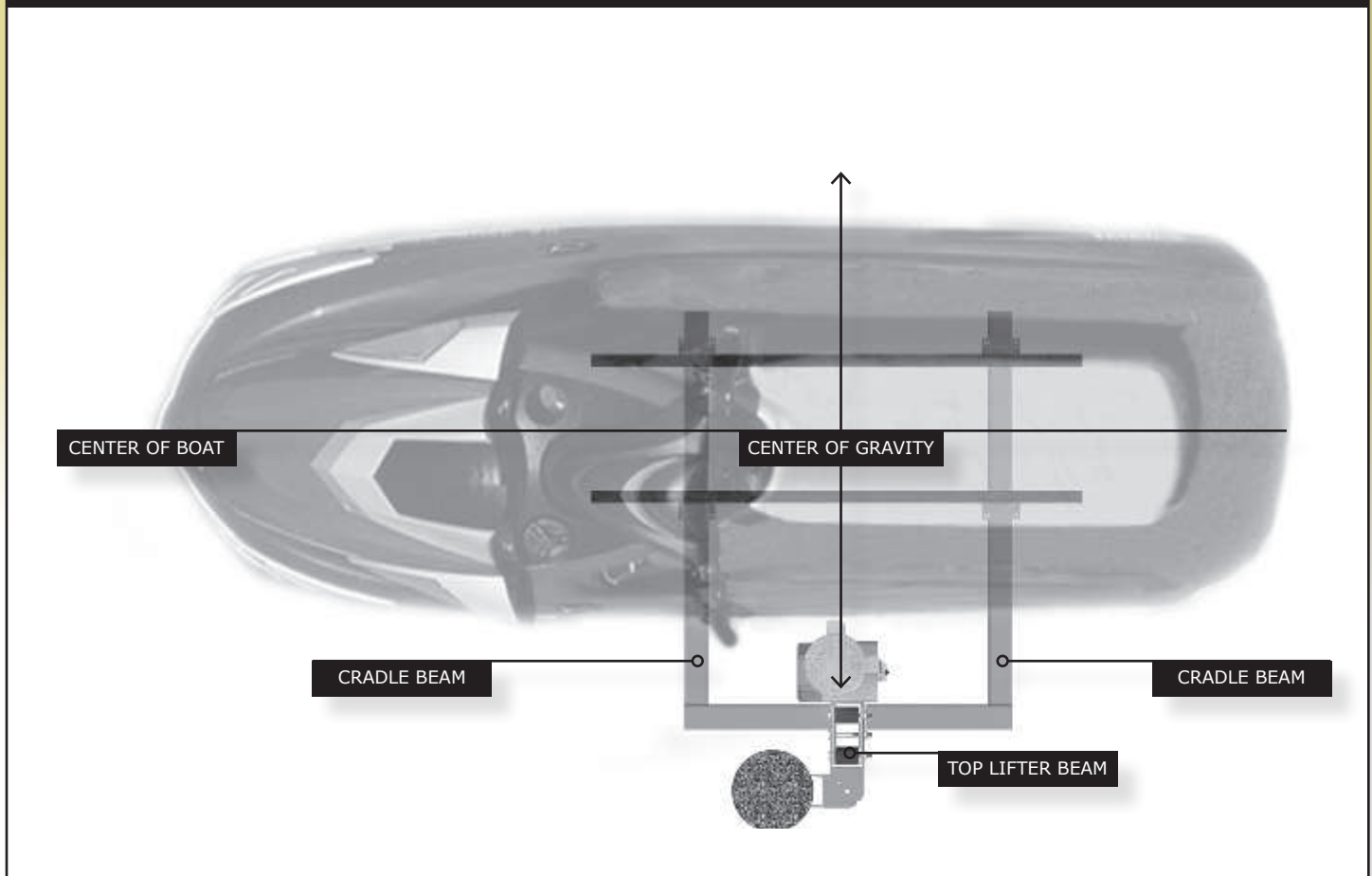
[www.tidetamer.com](http://www.tidetamer.com)  
CALL TODAY **800.325.1116**

# PWC LIFT LOADING/WEIGHT DISTRIBUTION

## SWINGER CRADLE LIFTS

- The weight of your watercraft ***MUST BE DISTRIBUTED ON THE LIFTING ARMS EVENLY*** and as close to the lifting cable as possible.
- Inspect lifting cable for damage and make sure that it is spooled properly to prevent shock or impact loads from damaging your boat or lift. This could result in structural or mechanical damage to your lift or boat as well as cause personal injury or death.

SEE ILLUSTRATION BELOW FOR LOADING INSTRUCTIONS



*"Outlasting the Elements!"*

[www.tidetamer.com](http://www.tidetamer.com)  
CALL TODAY **800.325.1116**

# WARRANTY

## **Tide Tamer® Industries, Inc. warrants only to the original purchaser of an aluminum boat lift purchased or used for private and recreational purposes, the following:**

1. That the structural components of the aluminum boat lift are free from manufacturing defects or defects in craftsmanship for a period of ten (10) years when purchased from Tide Tamer® Industries, Inc. or any authorized dealer of Tide Tamer® Industries, Inc. During this period Tide Tamer® Industries, Inc. will provide replacement parts for the structural components of the aluminum boat lift which exhibit manufacturing defects or defects in craftsmanship, as determined by Tide Tamer® Industries, Inc.'s absolute and sole discretion, without charge.
2. That the gear unit components of the aluminum boat lift are free from manufacturing defects or defects in craftsmanship for a period of five (5) years when purchased from Tide Tamer® Industries, Inc. or any authorized dealer of Tide Tamer® Industries, Inc. During this period Tide Tamer® Industries, Inc. will provide replacement parts for the gear unit components of the aluminum boat lift, or any part or piece there of, which exhibits a manufacturing defect or defect in craftsmanship, as determined by Tide Tamer® Industries, Inc.'s absolute and sole discretion, without charge.
3. That the electrical components of the aluminum boat lift are free from manufacturing defects or defects in craftsmanship for a period of one (1) year when purchased from Tide Tamer® Industries, Inc. or any authorized dealer of Tide Tamer Industries, Inc. During this period Tide Tamer® Industries, Inc. will provide replacement parts for the electrical components of the aluminum boat lift, or any part or piece thereof, which exhibits a manufacturing defect or defect in craftsmanship, as determined by Tide Tamer® Industries, Inc.'s absolute and sole discretion, without charge.

This limited warranty becomes effective as of the date of delivery to the original purchaser.

In order for this limited warranty to become effective, the original purchaser must, within ninety (90) days of the date of delivery, either (1) complete the warranty registration card provided with the aluminum boat lift and return it to Tide Tamer® Industries, Inc. at P.O. Box 737, Snow Hill, NC 28580, or (2) complete and submit the warranty registration information on Tide Tamer® Industries, Inc.'s website, located at <http://www.tidetamer.com>. Upon registration by the original purchaser, Tide Tamer® Industries, Inc. will provide confirmation of registration in the manner selected by the original purchaser at the time of registration (i.e., U.S. Mail, facsimile, or electronic mail).

### **REGISTRATION IS A CONDITION PRECEDENT TO TIDE TAMER® INDUSTRIES, INC.'S OBLIGATIONS UNDER THIS LIMITED WARRANTY.**

In order to make a claim under this limited warranty, the original purchaser must provide the following in writing, addressed to


**Tide Tamer® Industries, Inc. , P.O. Box 737 , Snow Hill, NC 28580**

1. Full name and address of person making claim
2. Make and model of aluminum boat lift
3. Date of registration of warranty
4. Date of purchase and from whom
5. A clear and specific description of the defect
6. Name, address, and telephone number of the person (s) or companies performing the installation
7. Return authorization number from Tide Tamer® is required before parts are returned to Tide Tamer®, Inc. by original purchaser.

This limited warranty does not include labor costs associated with repairing or replacing the aluminum boat lift, nor does it require Tide Tamer® Industries, Inc. to provide labor services for the repairing or replacing of the aluminum boat lift. This limited warranty does not extend to products, equipment and accessories not manufactured by Tide Tamer® Industries, Inc., including without limitation, the stainless steel cables of the aluminum boat lift. This limited warranty is valid only when such products are used under normal conditions of recommended use. This limited warranty does not cover replacement or repair of the aluminum boat lift, or any part thereof damaged by acts of God, abuse, accident, misuse, neglect, alteration, repair, disaster, overloading, negligence, unauthorized use, improper installation, improper testing, improper product selection, failure to follow maintenance recommendations, failure to follow instructions or warnings, or any other cause beyond the control of Tide Tamer® Industries, Inc. This limited warranty does not cover routine maintenance and service. ***This limited warranty provides a six (6) month warranty period for product defects on wood bunk boards.*** Carpet

covers on bunk boards are excluded from warranty upon inspection at delivery. Any repair work performed on the aluminum boat lift, or any part or piece thereof manufactured by Tide Tamer® Industries, Inc., by any person other than an employee of Tide Tamer Industries, Inc., or a person authorized in writing by Tide Tamer® Industries, Inc. to perform specified repair work, shall void this warranty. This limited warranty is not transferable or enforceable by any party other than the original purchaser. This limited warranty does not apply to aluminum boat lifts purchased for commercial use. Tide Tamer® Industries, Inc. warrants the replacement parts provided pursuant to this limited warranty to be free from manufacturing defects or defects in craftsmanship, under the same terms as set forth herein, except that the time period for the limited warranty shall, in that instance, be the greater of (I) ninety (90) days from the date the replacement part was delivered to the original purchaser, or (II) the period of time remaining on the original limited warranty. This limited warranty is limited to aluminum boat lifts sold and used in the United States.

The sole and exclusive remedy provided by this limited warranty is the providing of replacement parts for the aluminum boat lift, or any part or piece thereof manufactured by Tide Tamer® Industries, Inc., as more fully set forth above.

<b>FOR YOUR RECORDS</b>	
<b>CONTRACTOR (AND/OR) DEALER</b>	
<b>LIFT OR MODEL/CAPACITY</b>	
<b>SERIAL NUMBER</b>	
<b>DATE OF PURCHASE</b>	
Tide Tamer® Industries, Inc. P.O. Box 737 / HWY 258 South, Snow Hill, NC 28580 800-325-1116 • 252-747-4377 Fax	 <b>www.tidetamer.com</b> <b>CALL TODAY 800.325.1116</b>

Tear along perforations to detach and mail

<b>WARRANTY REGISTRATION</b>		<i>(All information must be completed)</i>	
<b>CUSTOMER NAME</b>		<b>CUSTOMER PHONE</b>	
<b>STREET ADDRESS OF LIFT</b>		<b>CITY</b>	<b>STATE</b> <b>ZIP</b>
<b>DATE OF INSTALL OF PURCHASE</b>		<b>CONTRACTOR (AND/OR) DEALER NAME</b>	
<b>BOAT MAKE, MODEL, SIZE</b>		<b>SERIAL NUMBER</b>	
Tide Tamer® Industries, Inc. P.O. Box 737 / HWY 258 South, Snow Hill, NC 28580 800-325-1116 • 252-747-4377 Fax	 <b>www.tidetamer.com</b> <b>CALL TODAY 800.325.1116</b>		



Tear along perforations to detach and mail



TIDE TAMER INDUSTRIES, INC.  
900 HWY 258 SOUTH  
SNOW HILL, NC 28580

*"Outlasting the Elements!"*

[www.tidetamer.com](http://www.tidetamer.com)  
CALL TODAY **800.325.1116**